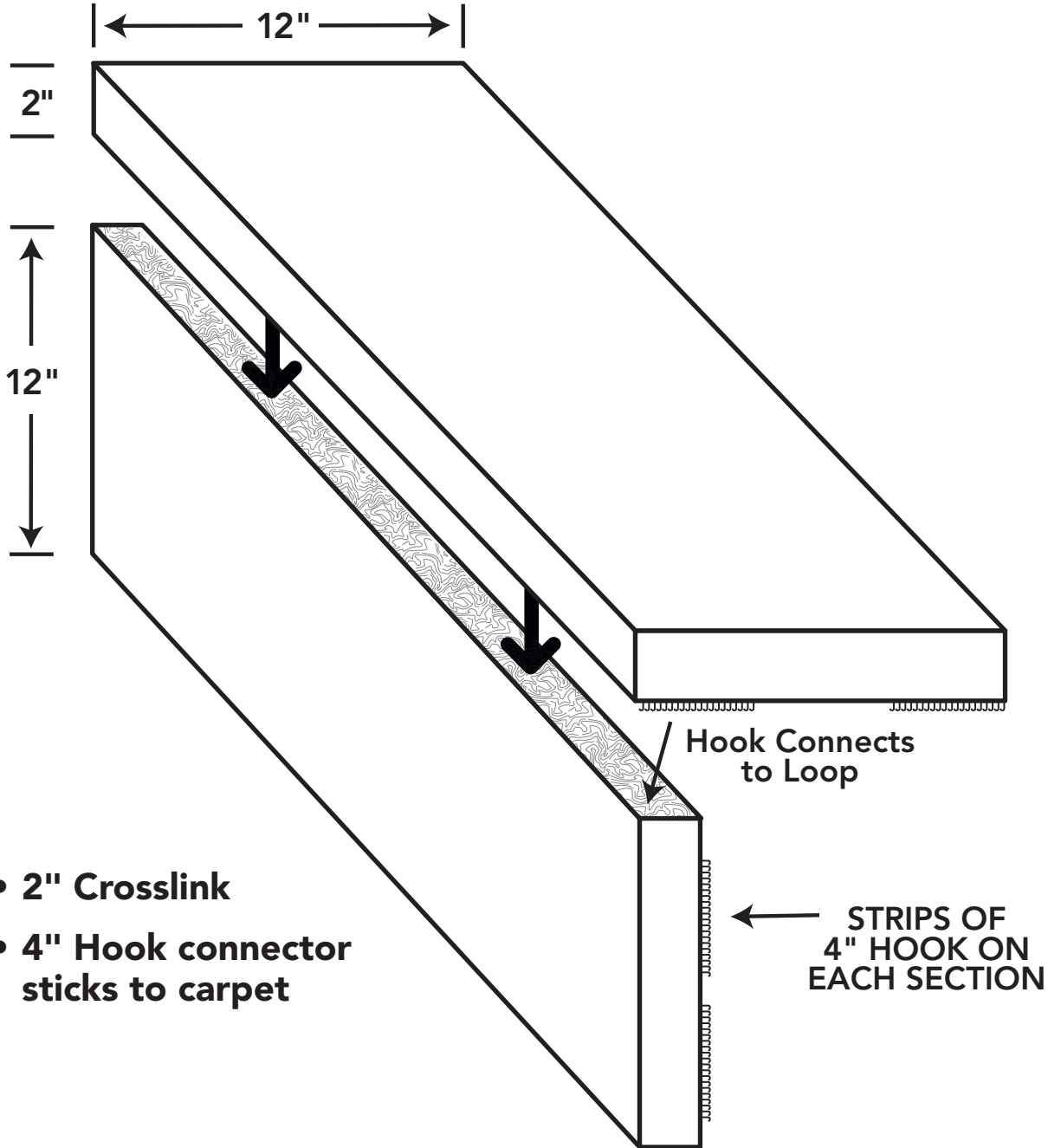




PRODUCT DATA SHEET	
Model Number:	GP-100
Description:	Pit Edge Padding
Size:	



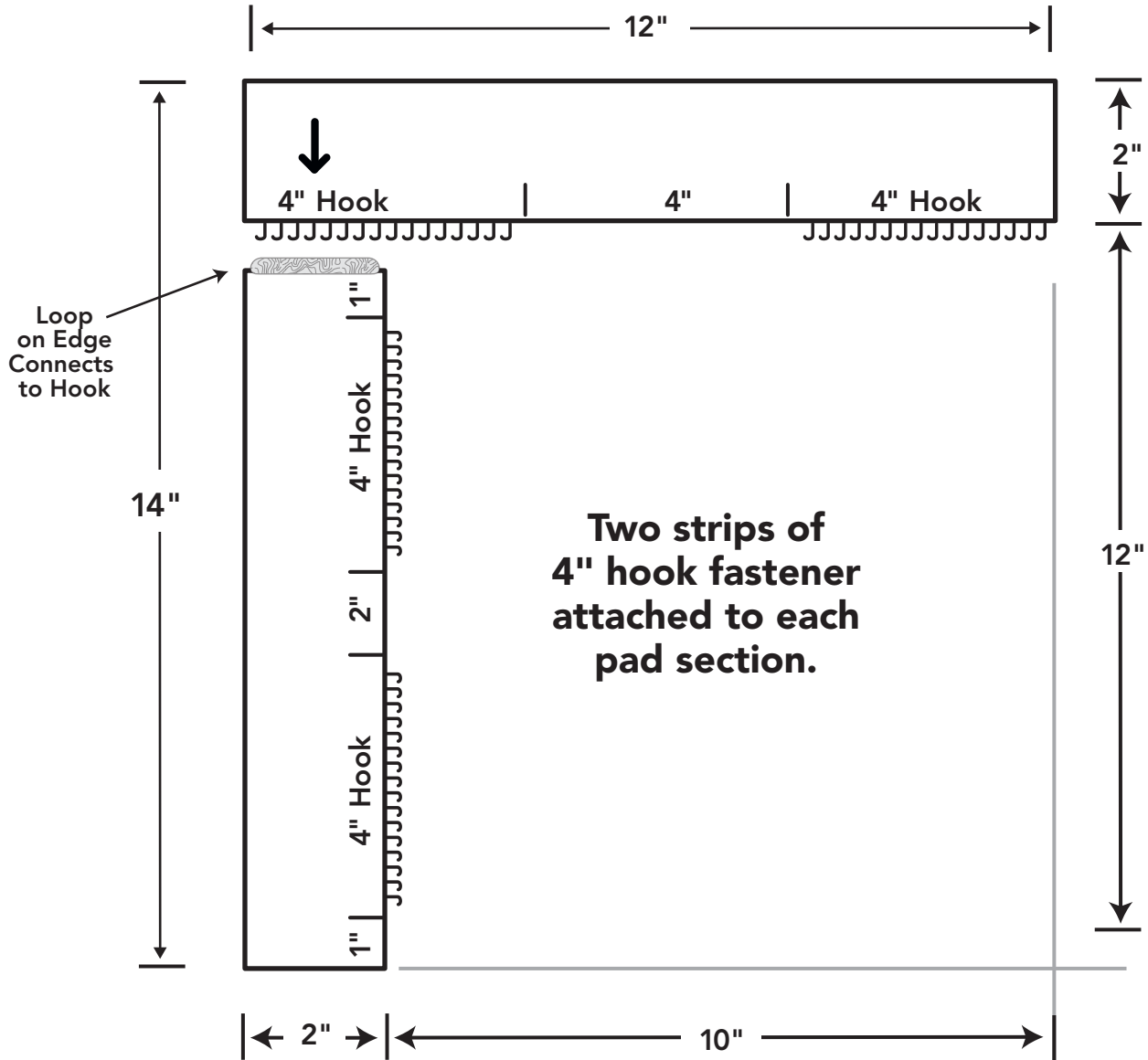
- 2" Crosslink
- 4" Hook connector sticks to carpet

**⚠ IMPORTANT CONSUMER PRODUCT HAZARD WARNING — PLEASE READ!**

A possibility of serious injury, including paralysis or death, is inherent in any activity involving motion or height. Equipment with which this notice is included is intended for use only by properly trained, qualified persons under supervised conditions. Use without proper supervision is dangerous and should not be undertaken or permitted. Know your limitations as well as the limitations of your equipment. Consult a qualified instructor before attempting any new activity or skill. This equipment must be used with proper mats, spotting equipment and qualified spotters for each activity or skill. Use this equipment only for its intended purpose. Do not modify equipment in any way. Inspect each component for damage, loose fittings or signs of wear before each use. Do not use if you have any concern as to the condition of this equipment. Test unit for stability prior to each use. Do not use if you have any concern about the stability, condition or suitability of this equipment. Inspect warning labels and replace when marred or damaged. Before each subsequent use, re-check equipment stability and settings.

PRODUCT DATA SHEET	
Model Number:	GP-100
Description:	Pit Edge Padding
Size:	

## Important Pit Edge Specifications

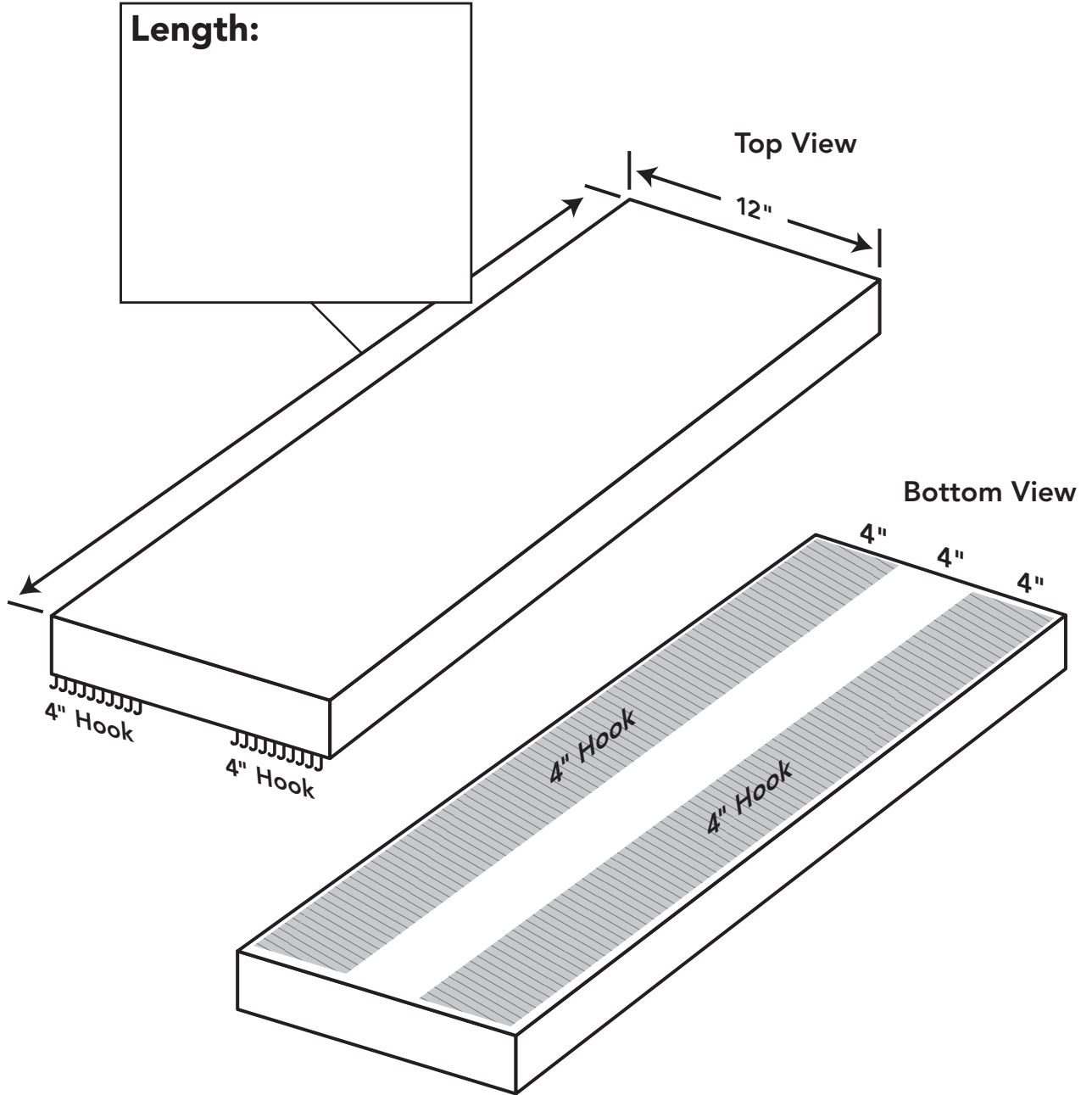


### ⚠ IMPORTANT CONSUMER PRODUCT HAZARD WARNING — PLEASE READ!

A possibility of serious injury, including paralysis or death, is inherent in any activity involving motion or height. Equipment with which this notice is included is intended for use only by properly trained, qualified persons under supervised conditions. Use without proper supervision is dangerous and should not be undertaken or permitted. Know your limitations as well as the limitations of your equipment. Consult a qualified instructor before attempting any new activity or skill. This equipment must be used with proper mats, spotting equipment and qualified spotters for each activity or skill. Use this equipment only for its intended purpose. Do not modify equipment in any way. Inspect each component for damage, loose fittings or signs of wear before each use. Do not use if you have any concern as to the condition of this equipment. Test unit for stability prior to each use. Do not use if you have any concern about the stability, condition or suitability of this equipment. Inspect warning labels and replace when marred or damaged. Before each subsequent use, re-check equipment stability and settings.

PRODUCT DATA SHEET	
Model Number:	GP-100
Description:	Pit Edge Padding
Color:	

## TOP SECTION 2" Crosslink



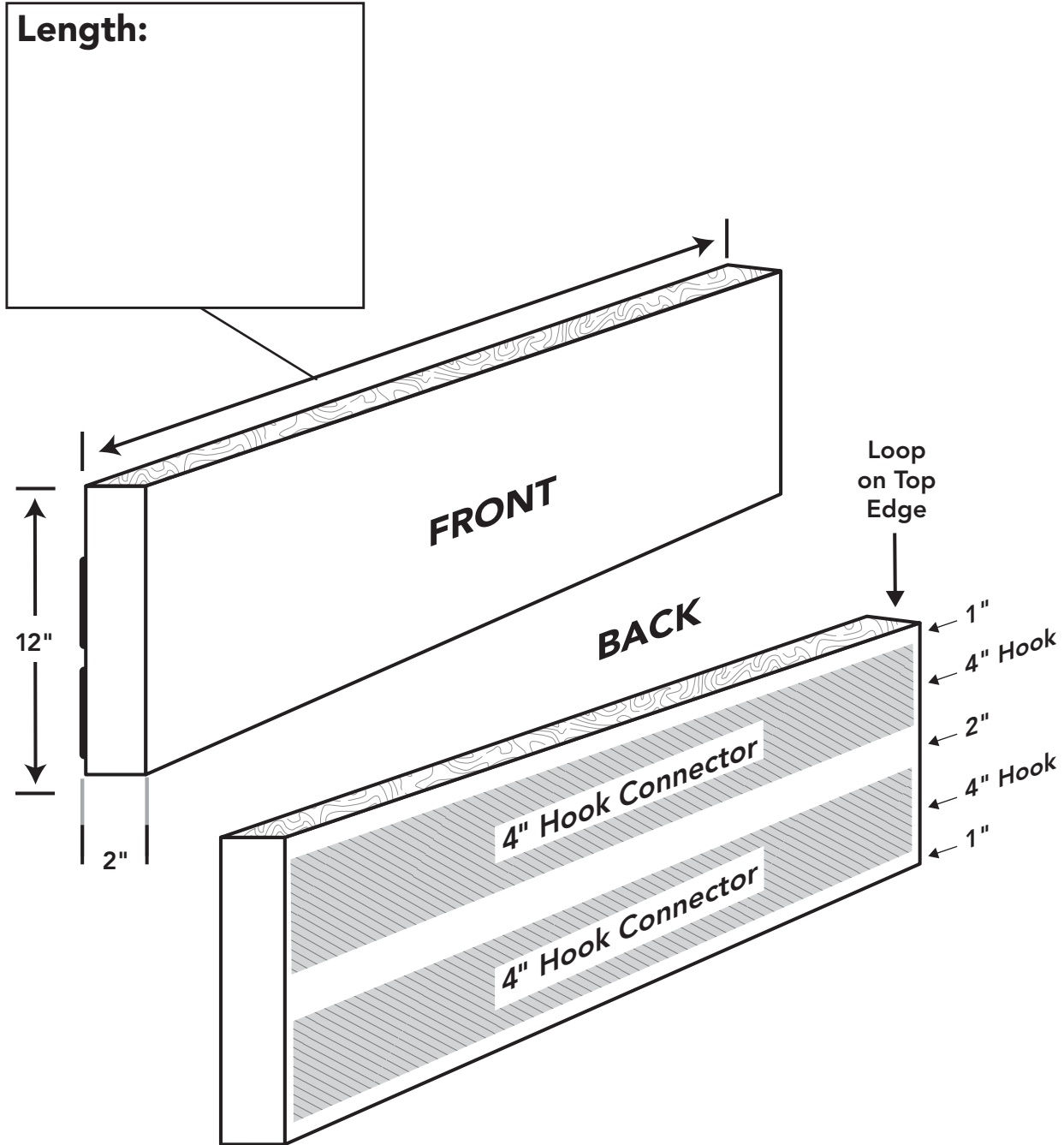
### **⚠ IMPORTANT CONSUMER PRODUCT HAZARD WARNING — PLEASE READ!**

A possibility of serious injury, including paralysis or death, is inherent in any activity involving motion or height. Equipment with which this notice is included is intended for use only by properly trained, qualified persons under supervised conditions. Use without proper supervision is dangerous and should not be undertaken or permitted. Know your limitations as well as the limitations of your equipment. Consult a qualified instructor before attempting any new activity or skill. This equipment must be used with proper mats, spotting equipment and qualified spotters for each activity or skill. Use this equipment only for its intended purpose. Do not modify equipment in any way. Inspect each component for damage, loose fittings or signs of wear before each use. Do not use if you have any concern as to the condition of this equipment. Test unit for stability prior to each use. Do not use if you have any concern about the stability, condition or suitability of this equipment. Inspect warning labels and replace when marred or damaged. Before each subsequent use, re-check equipment stability and settings.



PRODUCT DATA SHEET	
Model Number:	GP-100
Description:	Pit Edge Padding
Color:	

### SIDE SECTION 2" Crosslink



**⚠ IMPORTANT CONSUMER PRODUCT HAZARD WARNING — PLEASE READ!**

A possibility of serious injury, including paralysis or death, is inherent in any activity involving motion or height. Equipment with which this notice is included is intended for use only by properly trained, qualified persons under supervised conditions. Use without proper supervision is dangerous and should not be undertaken or permitted. Know your limitations as well as the limitations of your equipment. Consult a qualified instructor before attempting any new activity or skill. This equipment must be used with proper mats, spotting equipment and qualified spotters for each activity or skill. Use this equipment only for its intended purpose. Do not modify equipment in any way. Inspect each component for damage, loose fittings or signs of wear before each use. Do not use if you have any concern as to the condition of this equipment. Test unit for stability prior to each use. Do not use if you have any concern about the stability, condition or suitability of this equipment. Inspect warning labels and replace when marred or damaged. Before each subsequent use, re-check equipment stability and settings.