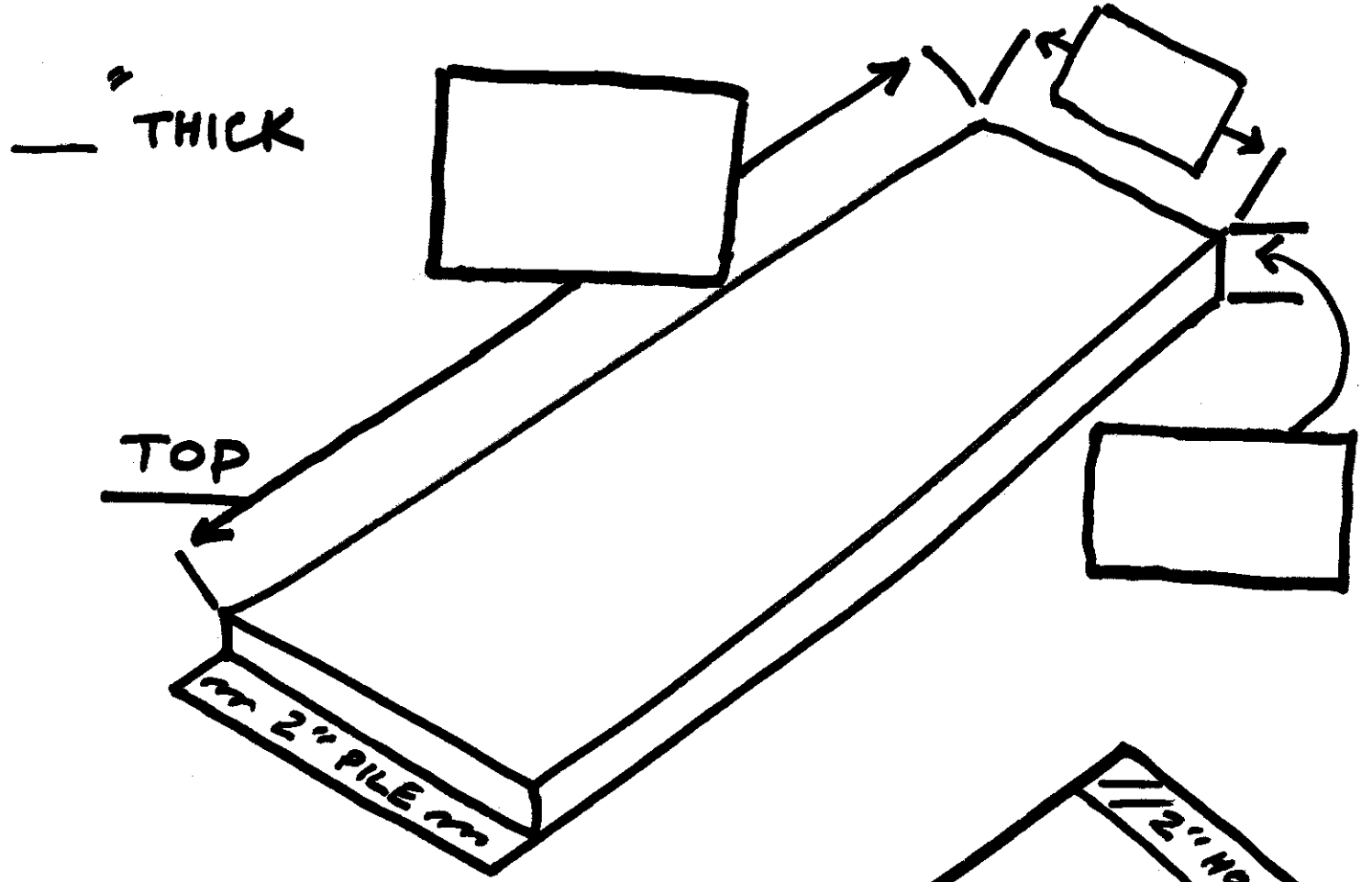
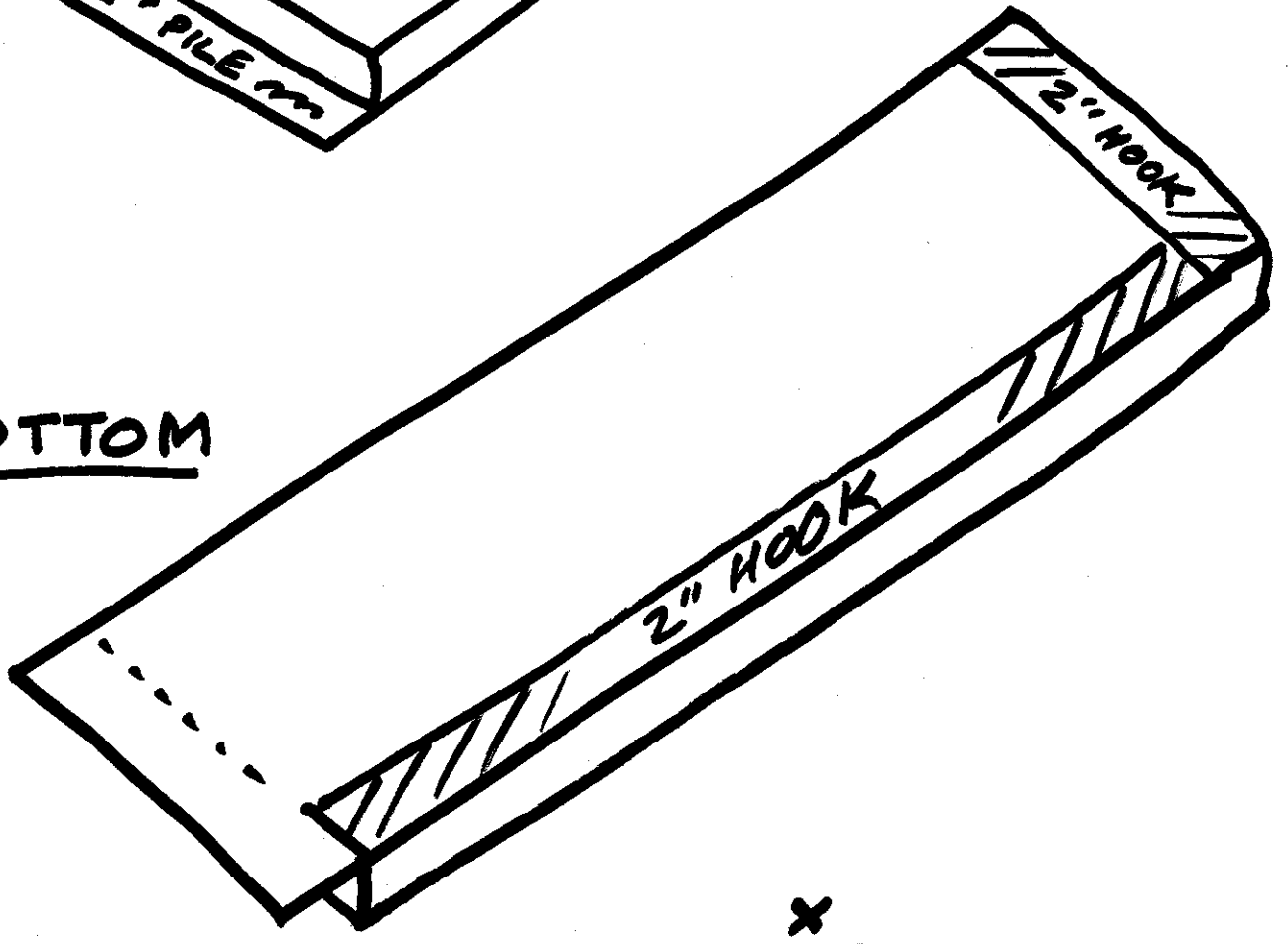


TUMBLE TRAMP PAD SPECS



BOTTOM



x _____

DATE _____